

## MAAP-011298 - 2.3 Watt, 4-stage power amplifier

The MAAP-011298 is a 2.3 Watt, 4-stage power amplifier. This amplifier is packaged in a 5mm 32-lead AQFN package. It operates from 27 – 31.5GHz and provides 24.5 dB of linear gain, 2.3 W saturated output power and 26% efficiency while biased at 6V. The input and output are fully matched to 50  $\Omega$  with typical return loss >10 dB. This product is fabricated using a GaAs pHEMT process which features full passivation for enhanced reliability.

The MAAP-011298 can be used as a power amplifier stage or as a driver stage in higher power applications. This device is ideally suited for VSAT and 28 GHz PtP applications.

### Key Selling Points

1. High Gain over operating frequency
2. 26% Power Added Efficiency
3. PSat 34.5 dBm
4. 5x5mm SMT package

### Advantages

1. Appropriate to drive lower input levels
2. Low power consumption while achieving high performance
3. Higher output power from PA
4. High performance without need for chip and wire assembly

### Benefits

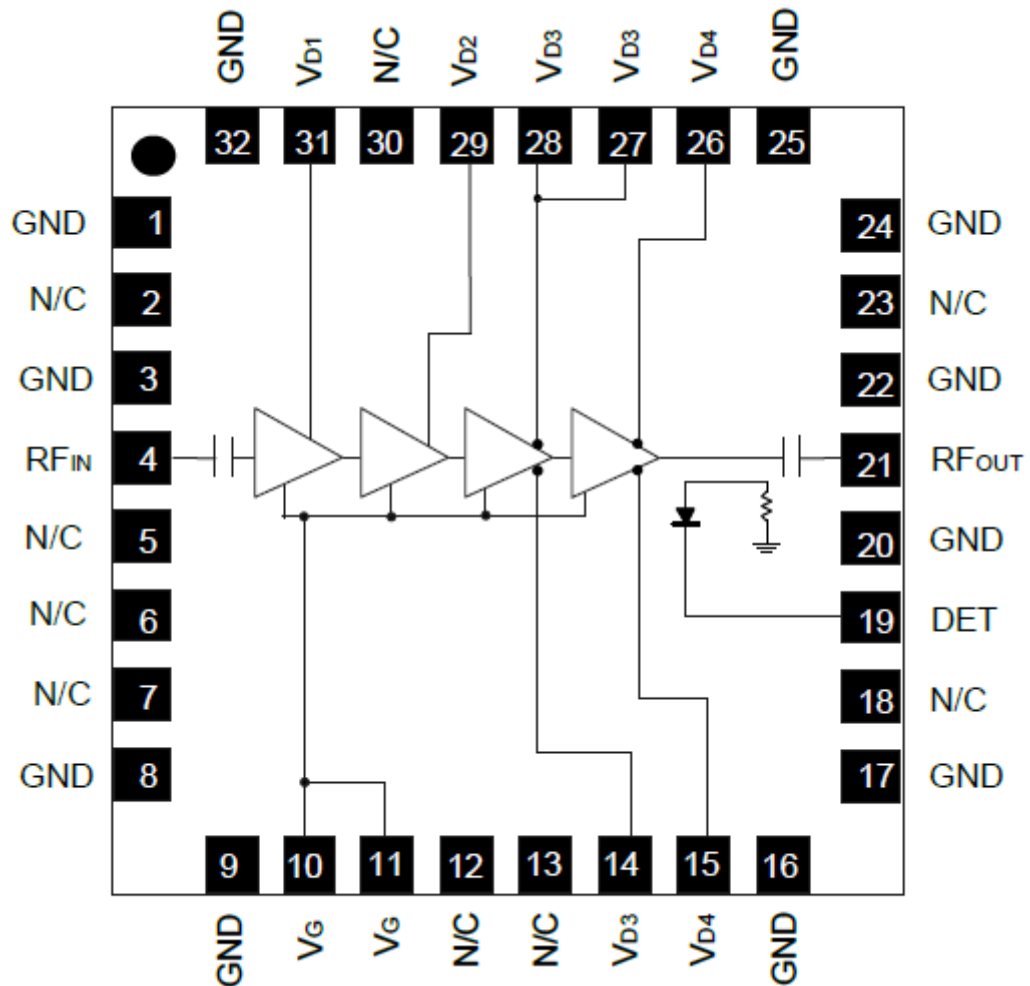
1. Excellent performance over Satcom Ka Band
2. Improved system efficiency and lower power consumption
3. Suitable for numerous customer applications
4. Ease of manufacturability

### Castle Microwave Ltd

*The UK's first choice for the supply of high technology and leading-edge RF and Microwave products.*

sales@castlemicrowave.com  
+44 (0)1635 271300  
@Castlemicrowave

5 The Pentangle, Park Street , Newbury, RG14 1EA



**Castle Microwave Ltd**

*The UK's first choice for the supply of high technology and leading-edge RF and Microwave products.*

sales@castlemicrowave.com  
+44 (0)1635 271300  
@Castlemicrowave

5 The Pentangle, Park Street , Newbury, RG14 1EA