

Presented by UK agent for UK & Ireland:



Castle Microwave Limited
5 The Pentangle Park Street
Newbury Berkshire RG14 1EA



+44 (0)1635 271300



sales@castlemicrowave.com



@CastleMicrowave

EchoGuard CR

3D Surveillance Radar for Close Range requirements

Guard Every Perimeter.
Ground and Air.
Reliably.

Active beam-steering 3D radar designed for high performance at close range.

Ideal for guarding ground and airspace perimeters of critical infrastructure and high-risk facilities in semi-/urban locations.

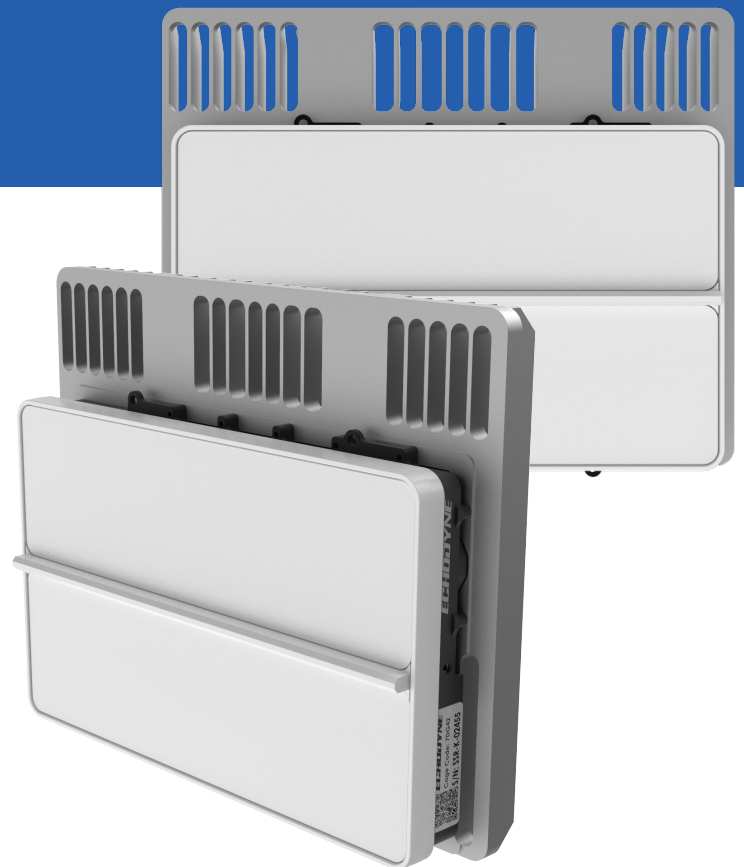
Clearly identify hovering drones spying from distance.

Easily configurable to site and mission requirements through an intuitive user interface.

Ultra-low size, weight, power (SWaP) and commercial pricing.

Mounting options for fixed sites and truly portable for temporary applications.

Generates high fidelity data for easy integration into security platforms or stand-alone systems.



Vehicle
> 900 m



Human
> 500 m



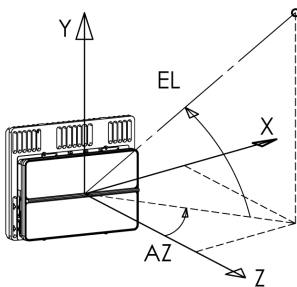
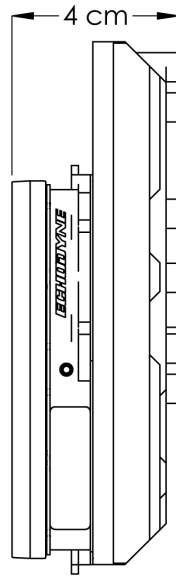
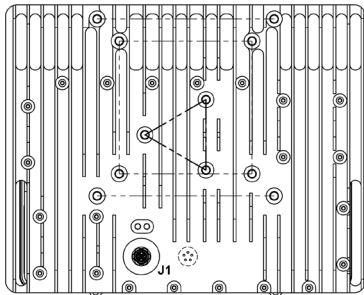
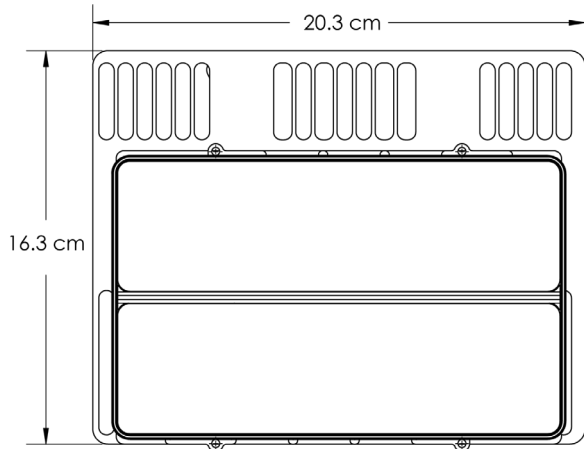
Matrice 600
> 350 m



Phantom 4
> 225 m

EchoGuard CR

3D Surveillance Radar



Performance

Instrumented Range	1.2 km
Range (sUAV)	> 225 m (Phantom 4) > 350 m (Matrice 600)
Range (vehicle)	> 900 m
Range (human)	> 500 m
Field of view	120° azimuth x 80° elevation
Angular resolution	±1° azimuth x ±3° elevation
Frequency	24.45 - 24.65 GHz (USA; multi-channel)

Search While Track

Scan volume	User configurable
Search update rate	-1 Hz for 120° az x 60° el volume
Track acquisition rate	New tracks acquired <1 sec
Search While Track	Tracks updated up to 10 Hz while radar intelligently scans rest of FOV
Max tracks	Up to 20 simultaneous tracks
Modes	Operational modes enable quick simple tracking of humans & UAVs

SWaP and Environmental

Size	20.3 cm x 16.3 cm x 4 cm
Weight	1.25 kg (2.75 lbs)
Power	DC +10 V to +30 V (Comp w/ PoE+, Class 4 Ext.)
Operating	< 23 W (Operating) < 10 W (Hot standby)
Operating temp	-40°C to +75°C
Weather Protection	IP67

Integration and Data

Control I/O	Gigabit Ethernet
Power I/O	Snap lock 12 pin connector
Data output	R/Vmaps: 40 MB/s Detections: 1 MB/s Tracks: 25 kB/s
Mounting	VESA 75 & 100 mm

FCC Identifier

2ANLB-MESASSR00053

Ordering Information

■ color: White

700-0005-203-110